



# CHOOSING YOUR FENDERING PROFILE



Wilks is proud to be one of the world's leading companies in the manufacture and supply of impact protection and decking systems.

Since 1973 we have supplied many leading boat builders with their profiles and our customer base spans the globe.

We manufacture a wide range of fendering profiles for both boat and pontoon applications as well as accessories.

At our premises we hold a vast stock of profiles in flexible PVC, rigid PVC, PVR, stainless steel, and aluminium; but as manufacturers we can also supply to meet your individual trade requirements.

If you are unable to find what you need then please do not hesitate to contact us to discuss your exact requirements. Our in-house tooling facilities ensure that we are able to offer our customers full support from the early stages of product development through to manufacture. We can also extrude custom-made profiles to your specific colour requirements with extremely reasonable order quantities.

### ***Disclaimer***

*All dimensions and information shown in this brochure are to our knowledge correct at the time of going to print. They are subject to our normal manufacturing tolerances and any modifications that we feel are necessary. Whilst we have endeavoured to ensure that the information given herein is true and reliable it is given only for the guidance of our customers. It is the user's responsibility to ascertain the suitability of products by their own tests.*

*"Wilks" is a registered trade marks of Wilks (Rubber Plastics) Mfgs Co Ltd.*

*No part of this catalogue may be reproduced without the express permission of Wilks (Rubber Plastics) Mfgs Co Ltd.*

# FITTING GUIDE: CHOOSING YOUR FENDERING PROFILE

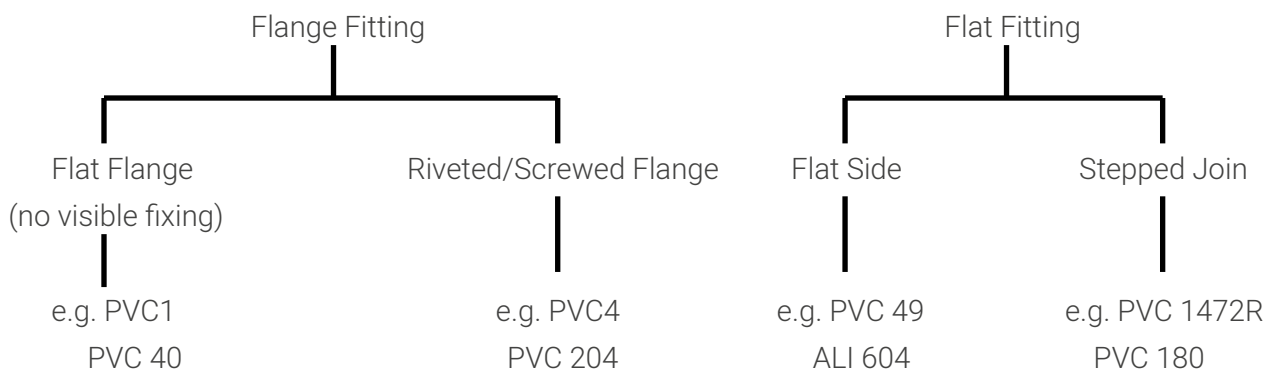
## Choosing your fendering profile

One of the first items to consider when selecting which profile to use is:

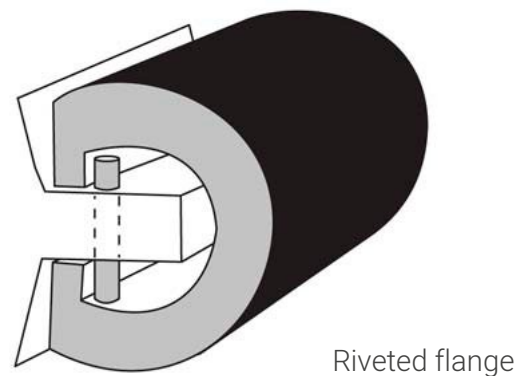
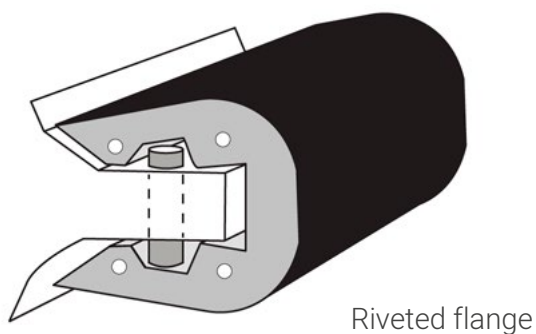
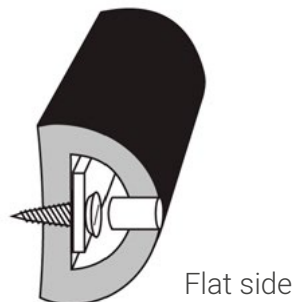
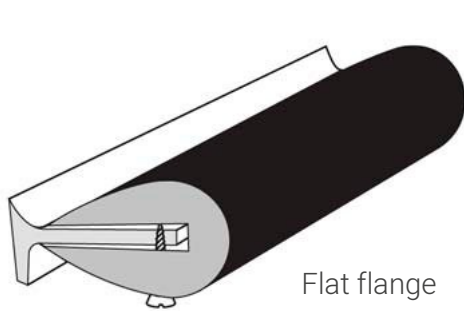
“Are you fitting your fendering to a flat or flanged (lipped) surface?”

The size of profile is then generally determined by the space available to work with on the boat as well as the requirements of the fendering.

A working boat will often be fitted with a heavy duty ‘D’ profile whereas in contrast a day cruiser would feature a profile akin to a rigid PVC/aluminium profile fitted with a PVC insert.



If you're still unsure of which category your existing fendering falls into then please feel free to send us a small sample and allow us to match it for you!



# FITTING GUIDE: CHOOSING YOUR FENDERING PROFILE

## General Information

### Lengths

As noted within each product information panel shown both in our main catalogue and online, our larger rubber D profiles are generally stocked in 3m lengths. Whilst this means that the butt joining of profiles is required, it also ensures that manageable section weights are handled when fitting. Should you require longer lengths then please contact our sales team who will be happy to discuss your requirements.

### Rigid PVC or aluminium body

Essentially both products are used for the same purpose – to complement a boat's clean lines whilst retaining a PVC insert which acts as a rub rail.

It really is simply a matter of personal preference as both will bend to the average boat's bow or transom. However with the application of heat whilst fitting it is also possible to bend the rigid PVC downwards such as when the gunnel leads into a bathing platform.

As an alternative to using PVC inserts we also offer a range of rigid PVC bodies which carry predrilled stainless steel inserts to offer a modern, contemporary look.

### Samples

You can order samples for all stock products easily online. Alternatively you can contact our sales team by either telephoning on 01621 869609 or else emailing them at [sales@wilks.co.uk](mailto:sales@wilks.co.uk).

Alternatively you can send us a small sample of your existing profile to allow our sales team to identify a suitable replacement which match your requirements.

### Placing an order

To place an order you can either do so online at [www.wilks.co.uk](http://www.wilks.co.uk) or else telephone a member of our sales team who will be happy to discuss your requirements and provide you with an immediate quotation.



# FLEXITEEK

Beautifully engineered synthetic decking and  
marine products.

## CONTACT US

T +44 (0)1621 869609

E [sales@wilks.co.uk](mailto:sales@wilks.co.uk)

W [www.wilks.co.uk](http://www.wilks.co.uk)

W [www.flexiteek.com](http://www.flexiteek.com)

A Woodrolfe Rd, Tollesbury,  
Essex, CM9 8RY